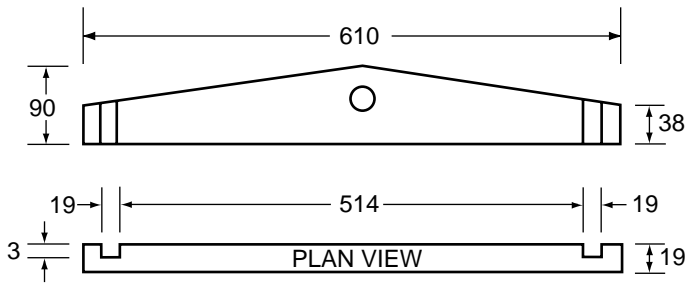


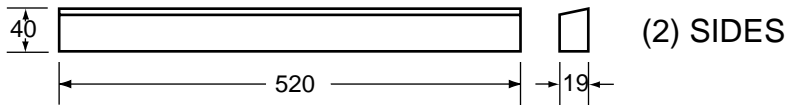
10-FRAME W.B.C. BEE HIVE

(DOUBLE WALLED HIVE)

EXTERNAL

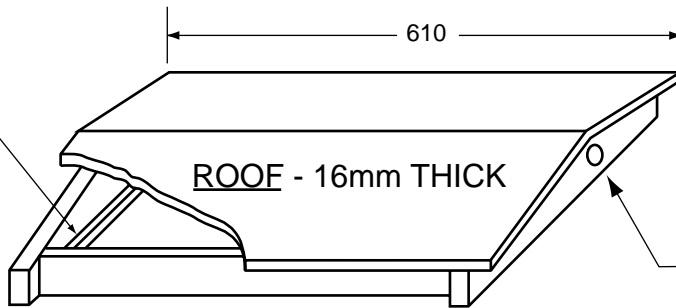


(2) FRONT & BACK

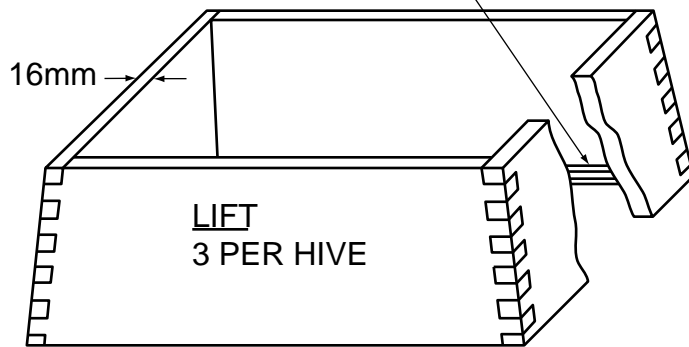
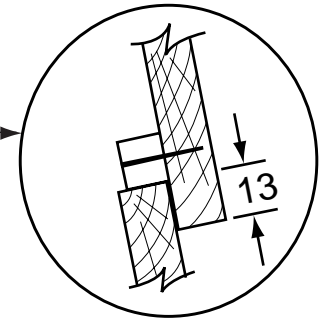


(2) SIDES

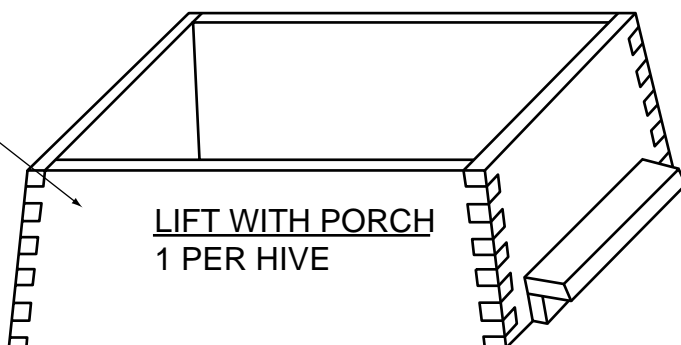
FIX 16x16 BEADING TO INSIDE OF FRAME
13mm UP FROM BOTTOM ON ALL SIDES



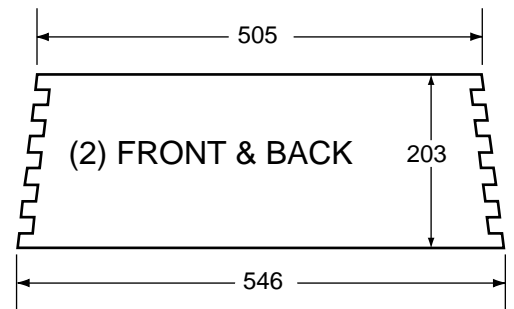
25mm HOLES COVERED
WITH WIRE MESH OR
BEE ESCAPE CONES



LIFT
3 PER HIVE

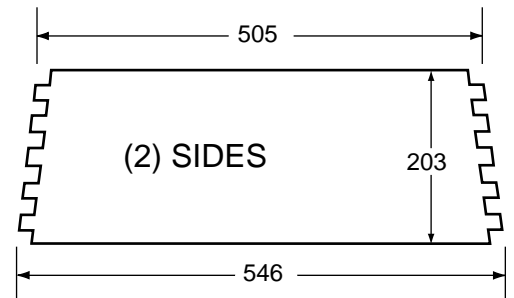


LIFT WITH PORCH
1 PER HIVE



(2) FRONT & BACK

ALL MEASUREMENTS FROM TOP EDGE

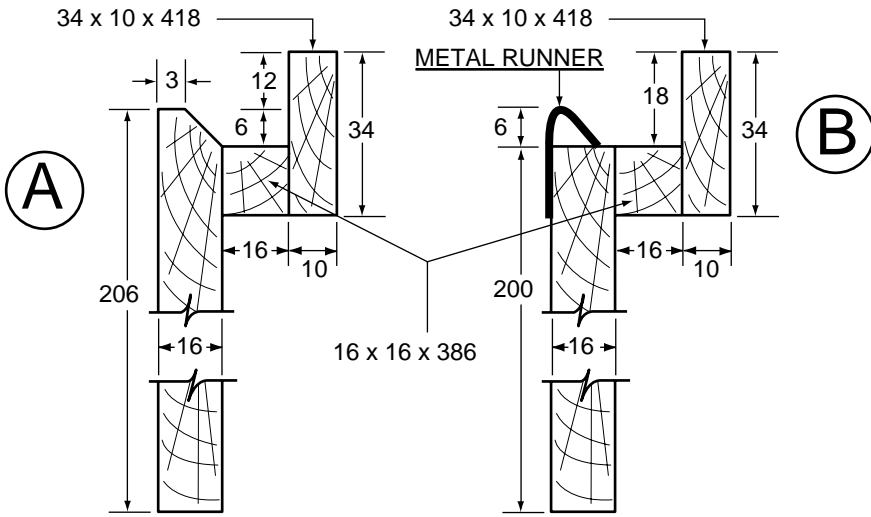


(2) SIDES

10-FRAME W.B.C. BEE HIVE

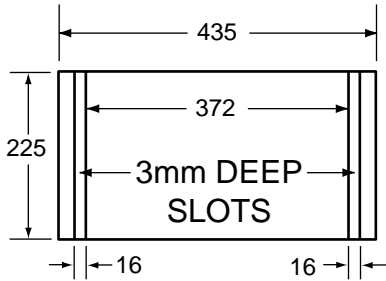
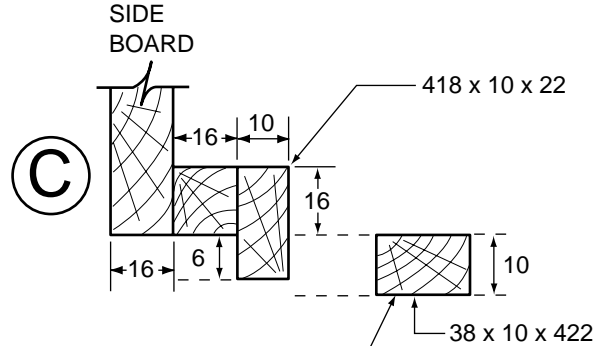
(DOUBLE WALLED HIVE)

TOP SECTION

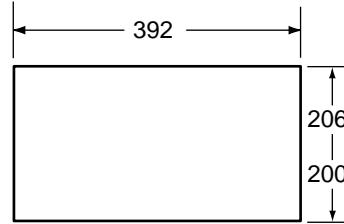


INTERNAL

BOTTOM SECTION



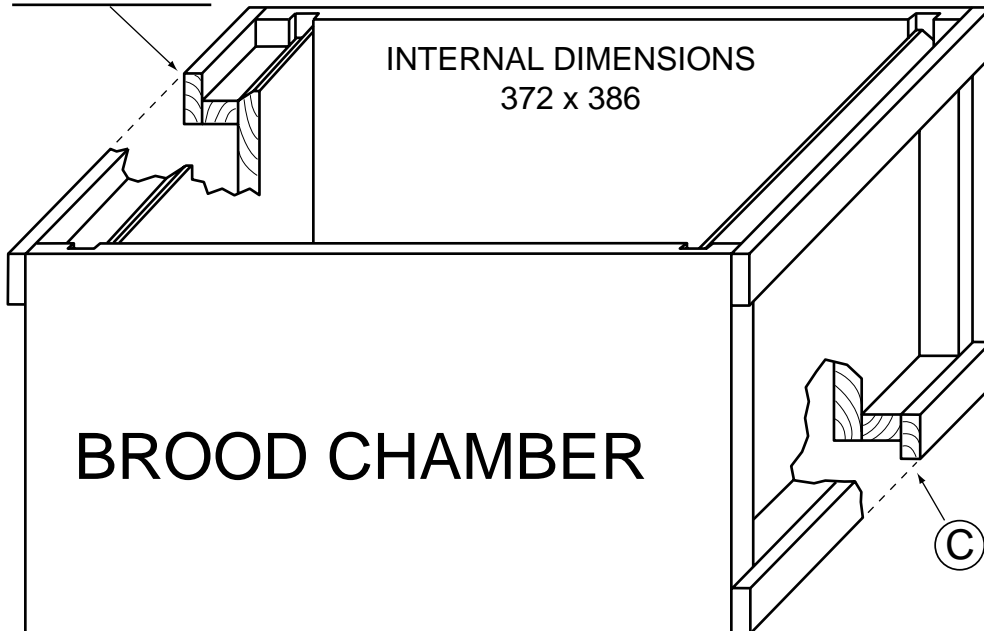
END BOARDS



SIDE BOARDS

TUNNEL STRIP BLOCK.
 PROVIDES ACCESS FROM
 ENTRANCE IN BOTTOM LEFT
 TO BROOD CHAMBER WHILE
 BLOCKING ACCESS TO
 CAVITY BETWEEN BOXES.

(A) OR (B)



**SUPER DIMENSIONS ARE
 THE SAME AS BROOD
 CHAMBER EXCEPT ONLY
 150 DEEP.**

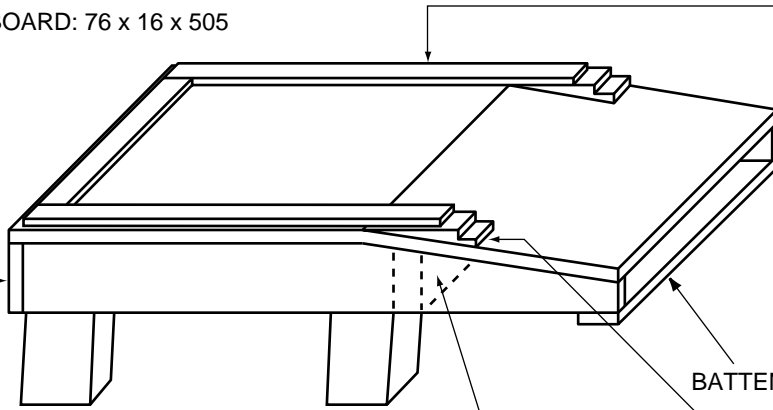
**(SIDE BOARDS ARE:
 132 (A) OR 126 (B))**

10-FRAME W.B.C. BEE HIVE

(DOUBLE WALLED HIVE)

FLOOR

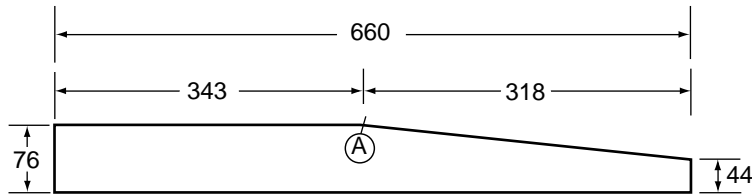
1) BACK BOARD: 76 x 16 x 505



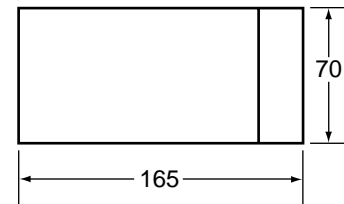
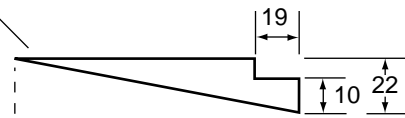
HEIGHT STRIPS:
(SET IN 18mm FROM EDGES)
2) 51 x 10 x 470
1) 64 x 10 x 368

BATTEN: 38 x 13 x 505

1) LEG BRACE: 57 x 16 x 460

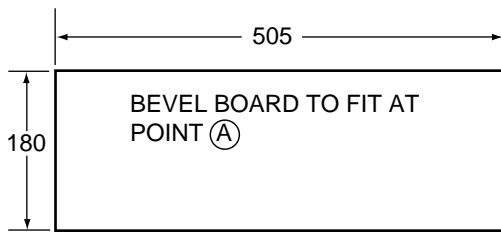


(2) SIDES

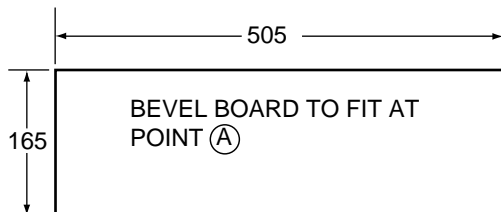


(2) WEDGE PIECES

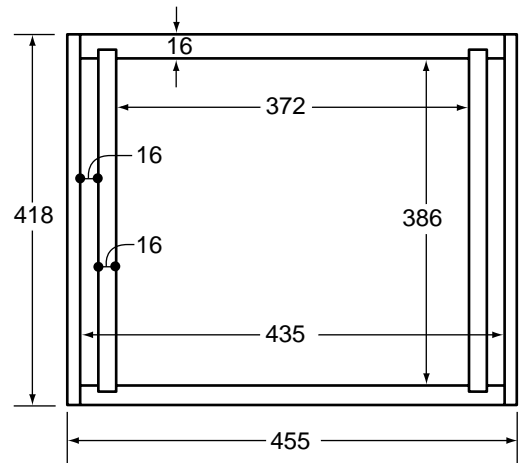
¥POSITION BY PLACING
LIFT ON FLOOR BOARD.



(2) TOP BOARD



(2) ALIGHTING BOARD

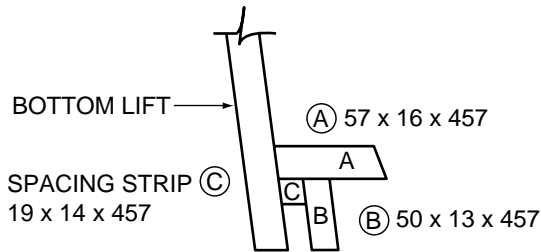


PLAN OF BROOD CHAMBER

10-FRAME W.B.C. BEE HIVE

(DOUBLE WALLED HIVE)

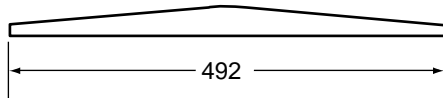
PORCH



(A) (B) (C) TO TAPER TO FIT SLOPE OF LIFT

ATTACH PORCH 3mm UP FROM
BOTTOM OF LIFT.

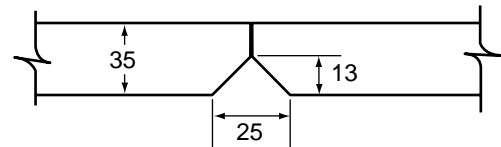
SLIGHTLY TAPER TOP BAR TO SHED WATER



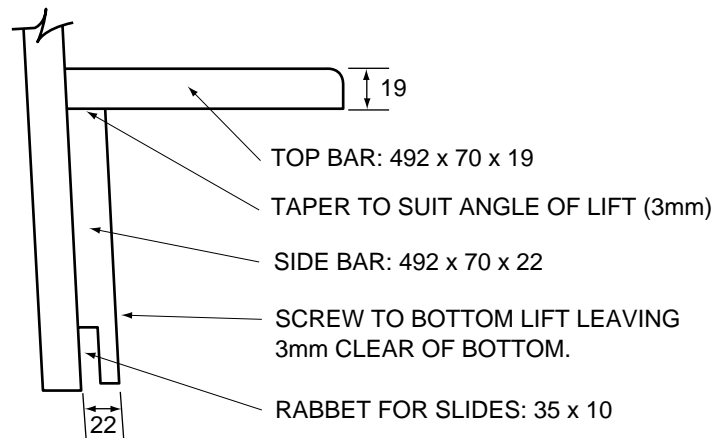
ENTRANCE SLIDES

2) 35 X 11 X 280

SLIDES TOGETHER TO FORM SMALL ENTRANCE

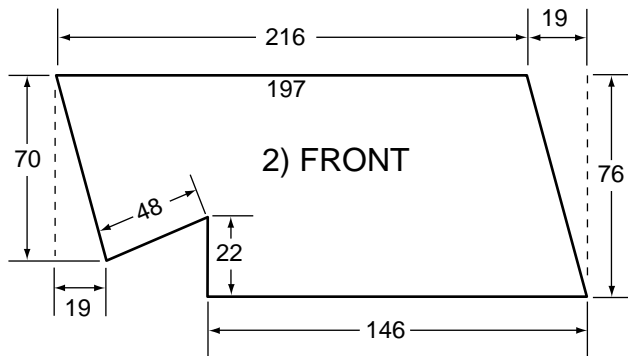


ALTERNATIVE PORCH



LEGS

LEGS CONSTRUCTED FROM
76 x 51 TIMBER.



RABBETS TO SIDES OF HIVES.
FRONT & BACK ATTACH INSIDE
OF SIDE BEAMS. USE SCREWS.

